

Engine Stop Switch

The three position engine stop switch (1) is next to the left handlebar grip. In RUN, the engine will operate. In either OFF position, the engine will not operate.

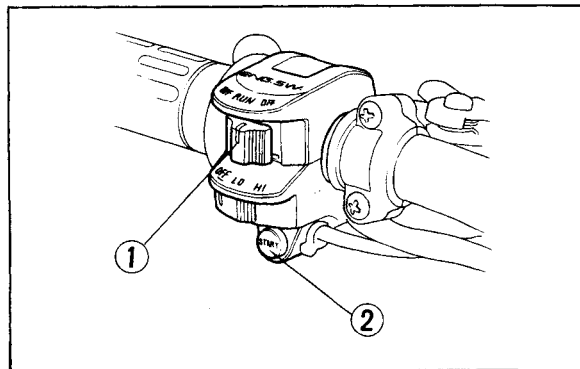
This switch is intended primarily as a safety or emergency switch and should normally remain in RUN.

NOTE:

* If your ATC is stopped with the ignition switch ON and the engine stop switch OFF, the headlight will still be on, resulting in battery discharge.

Starter Button

The starter button (2) is below the headlight switch. When the starter button is pressed, the starter motor will crank the engine.



(1) Engine stop switch (2) Starter button