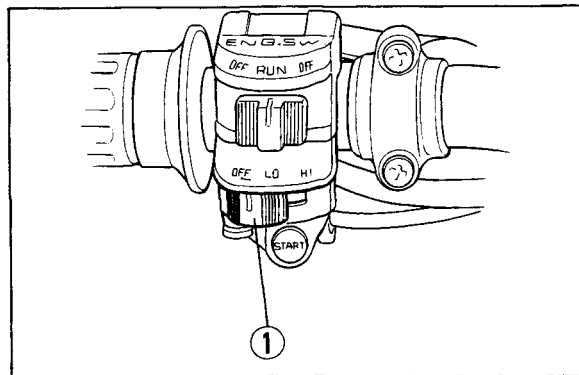


## Headlight Switch

The headlight switch (1) is below the engine stop switch. Its operating positions are as follows:

Position	Function
OFF	Headlight is off.
LO	Headlight is on low beam.
HI	Headlight is on high beam.



(1) Headlight switch