

Starting Procedure (after Preparation)

To restart a warm engine, follow the procedure for High Air Temperature.

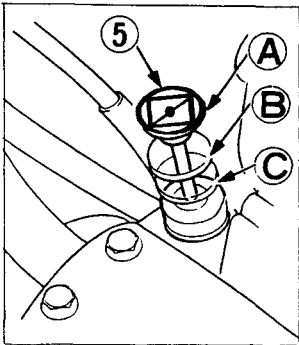
Normal Air Temperature

10°–35°C (50°–95°F)

1. Raise the choke knob (5) to the Fully Closed position (A).
2. Turn the ignition switch (6) to ON.
3. Open the throttle slightly.
4. Press the starter button (7) and start the engine.

NOTE:

- * Do not use the electric starter for more than 5 seconds at a time. Release the starter button for approximately 10 seconds before pressing it again.



(5) Choke knob



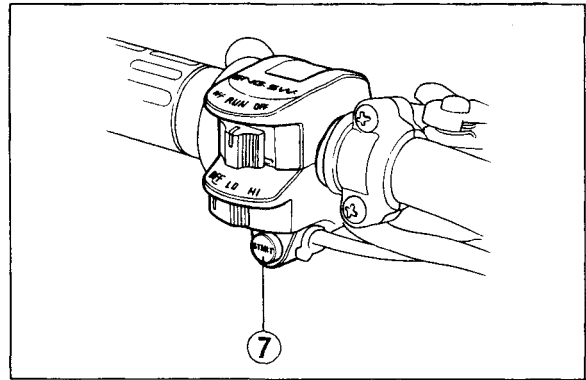
(6) Ignition switch

5. Immediately after the engine starts, release the starter button and push the choke knob to the halfway position (B).
6. About a half minute after the engine starts, push the choke knob down all the way to Fully Open (C).
7. If idling is unstable, open the throttle slightly.

High Air Temperature

35°C (95°F) or above

1. Do not use the choke.
2. Open the throttle slightly.
3. Start the engine by pressing the starter button.



(7) Starter button