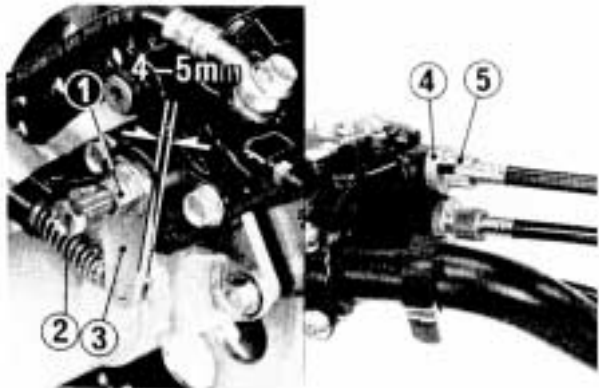


Parking brake

Parking brake adjustment may be required if the parking brake does not hold properly.

Parking Brake Adjustment

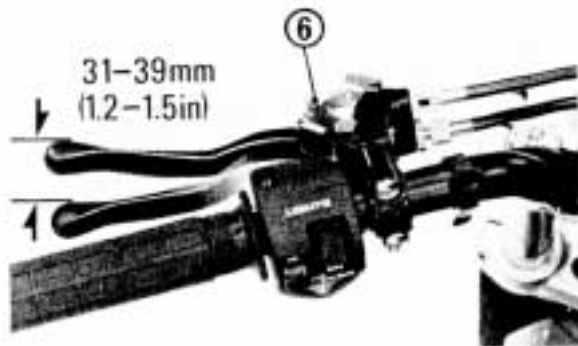
1. Loosen the lock nut (1) on the rear caliper.
2. Screw the adjusting bolt (2) in until you feel resistance without applying the clutch/parking brake lever, and tighten the lock nut (1).
3. Measure the distance the parking brake arm (3). The arm free play should be 4–5 mm (0.16–0.20 in) at the tip of the parking brake arm.



- (1) Lock nut
(2) Adjusting bolt

- (3) Parking brake arm
(4) Lock nut
(5) Adjusting nut

4. Adjust the distance 31–39 mm (1.2–1.5 in) measured at the tip of clutch/parking brake lever by loosening the lock nut (4) and turn the adjuster (5), while pushing the parking brake pin (6).
5. Recheck the distance of the parking brake arm.



- (6) Parking brake pin