

Battery

If the motorcycle is operated with insufficient battery electrolyte, sulfation and battery plate damage will occur. If rapid loss of electrolyte is experienced, or if your battery seems to be weak, causing slow starting or other electrical problems, see your authorized Honda dealer.

Battery electrolyte:

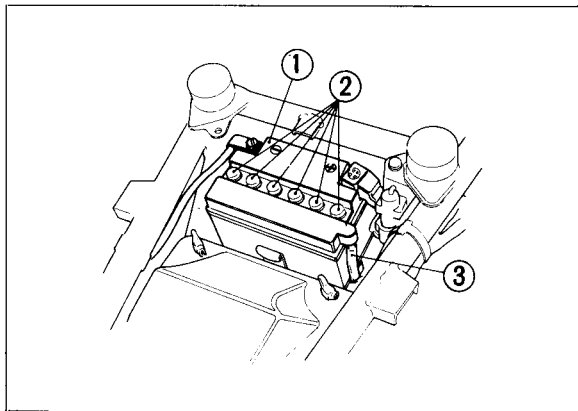
The battery (1) is under the seat. Remove the seat by pulling the seat lever. The electrolyte level must be maintained between the upper and lower marks on the side of the battery. If the electrolyte level is near the lower level mark, remove the battery filler caps (2), and carefully add distilled water to the upper level mark, using a small plastic tunnel or syringe.

CAUTION:

* *When checking battery electrolyte level or adding distilled water, make sure the breather tube is connected to the battery breather outlet (3).*

NOTE:

* Use only distilled water in the battery. Tap water may shorten the service life of the battery.



- (1) Battery
- (2) Battery filler caps
- (3) Battery breather outlet