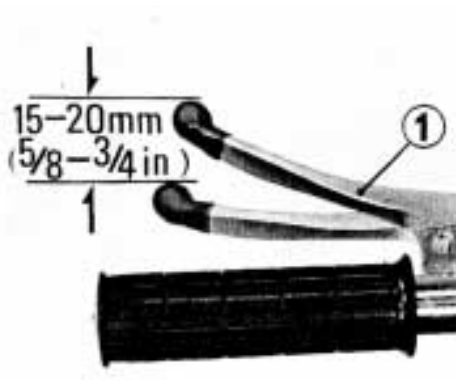


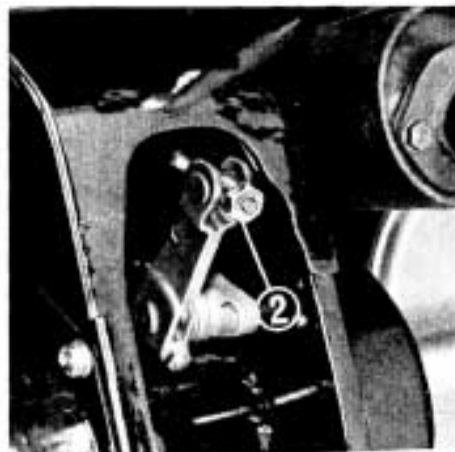
BRAKE ADJUSTMENT

Free play, measured at the tip of the brake lever ①, should be 15 ~ 20 mm (5/8 ~ 3/4 in.).

The adjusting nut ② is located on the brake operating rod at the rear of the frame.



① Brake lever



② Adjusting nut