

Fuel Tank

The fuel tank is located under the seat. To raise the double seat, unlock the seat (page 28).

The fuel tank capacity is: 4.0 ℓ (1.06 US gal,
0.88 Imp gal)

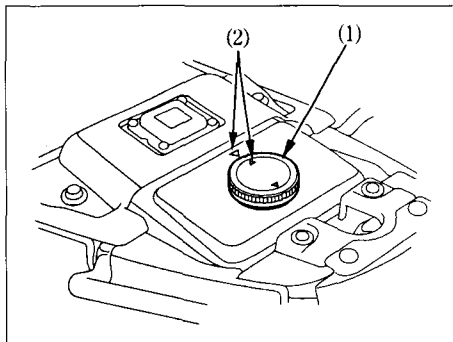
Raise the seat, then remove the fuel fill cap (1) by turning it counterclockwise.

After refueling, be sure to tighten the fuel fill cap firmly by turning it clockwise.

Make sure that the allow marks (2) on the fuel fill cap and fuel tank is aligned.

ATTENTION

If "spark knock" or "pinking" occurs at a steady engine speed under normal load, change brands of petrol. If spark knock or pinking persists, consult your Honda dealer. Failure to do so is considered misuse, and damage caused by misuse is not covered by Honda's Limited Warranty.



(1) Fuel fill cap

(2) Allow marks