

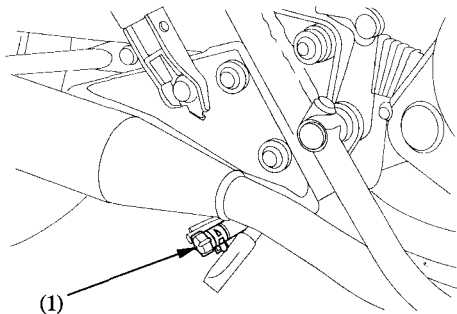
CRANKCASE BREATHER (SW type only)

(Refer to the maintenance precautions on page 49).

1. Remove the crankcase breather tube plug (1) from the tube and drain deposits into a suitable container.
2. Reinstall the crankcase breather tube plug.

NOTE:

* Service more frequently when riding in rain, at full throttle, or after the motorcycle is washed or overturned. Service if the deposit level can be seen in the transparent section of the drain tube.



(1) Crankcase breather tube plug