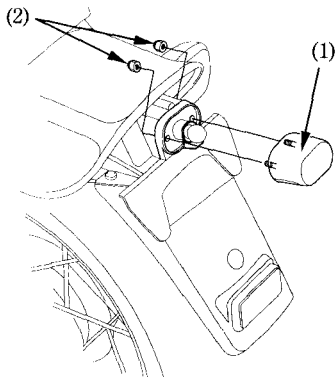


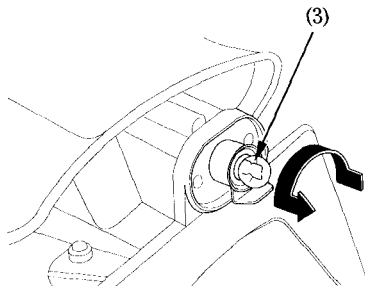
License Light Bulb

1. Remove the license light cover (1) by removing the two nuts (2).



- (1) License light cover
(2) Nuts

2. Slightly press the bulb (3) and turn it counterclockwise.
3. Install a new bulb in the reverse order of removal.



- (3) Bulb