

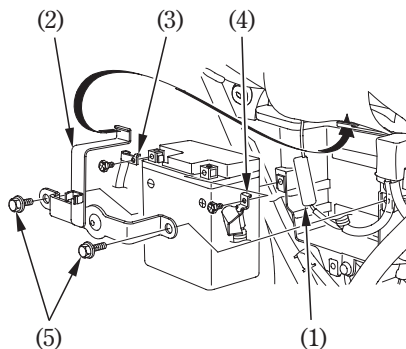


Removal:

1. Make sure the ignition switch is OFF.
2. Remove the right side cover (page 49).
3. Remove the fuse holder (1) from the battery holder (2).
4. Disconnect the negative (-) terminal lead (3) from the battery first, then disconnect the positive (+) terminal lead (4).
5. Remove the battery holder by removing the bolts (5).
6. Pull out the battery from the battery box.

Installation:

1. Reinstall in the reverse order of removal. Be sure to connect the positive (+) terminal first, then the negative (-) terminal.
2. Check all bolts and other fasteners are secure.



- (1) Fuse holder
- (2) Battery holder
- (3) Negative (-) terminal lead
- (4) Positive (+) terminal lead
- (5) Bolts

