

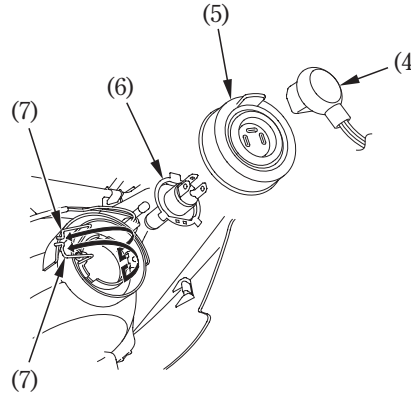
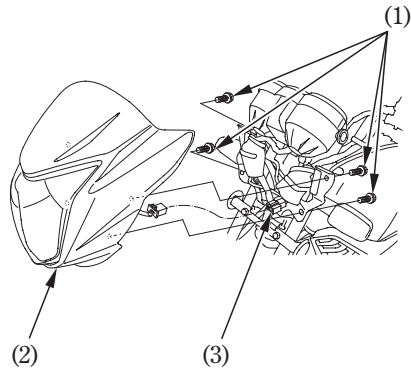


Headlight Bulb

(TU, ITU)

1. Remove the bolts (1) from the front cowl (2).
2. Disconnect the connector (3).

3. Pull out the socket (4) without turning.
4. Remove the seat rubber (5).
5. Remove the headlight bulb (6) while pressing down on the pin (7).
6. Install a new bulb in the reverse order of removal.



(1) Bolts
(2) Front cowl

(3) Connector

(4) Socket
(5) Seat rubber

(6) Headlight bulb
(7) Pin

