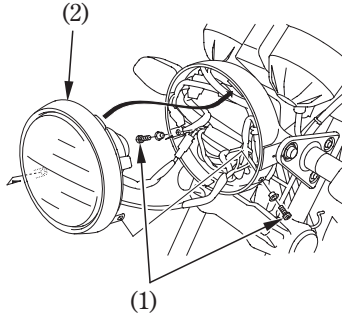




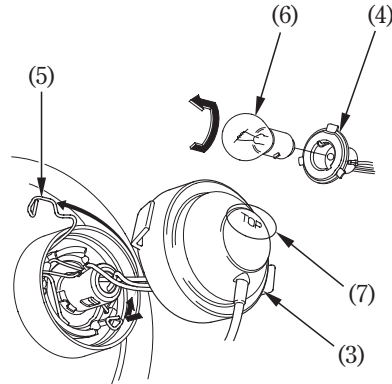
(U, IU)

1. Remove the screws (1) from the headlight case.
2. Gently pull the lower end of the headlight (2) forward and remove the headlight.
3. Remove the seat rubber (3).
4. Remove the socket (4) while pressing down on the pin (5).



- (1) Screws
- (2) Headlight

5. Slightly press the headlight bulb (6) and turn it counterclockwise.
6. Install a new bulb in the reverse order of removal.
 - Install the dust cover with its "TOP" mark (7) facing up.



- (3) Seat rubber
- (4) Socket
- (5) Pin
- (6) Headlight bulb
- (7) "TOP" mark

