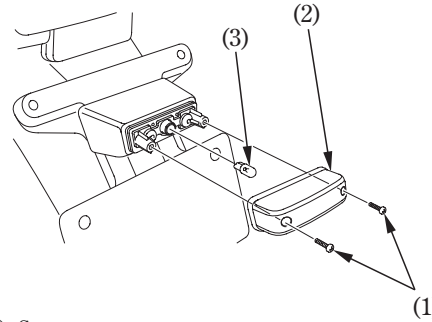




License Light Bulb

1. Remove the screws (1).
2. Remove the license light cover (2).
3. Pull out the bulb (3) without turning.
4. Install a new bulb in the reverse order of removal.



- (1) Screws
- (2) License light cover
- (3) Bulb

