

FEATURES

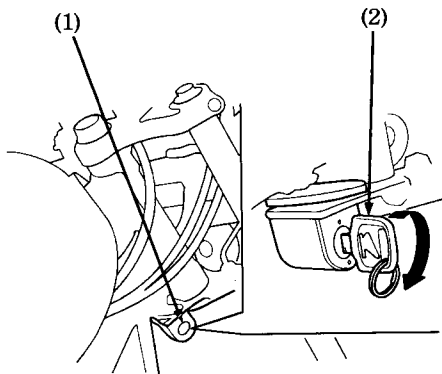
(Not required for operation)

STEERING LOCK

The steering lock (1) is on the steering stem.

To Lock:

Turn the handlebar all the way to the left or right, and insert the key (2) into the lock, turn the key clockwise and remove it.



(1) Steering lock

(2) Ignition key