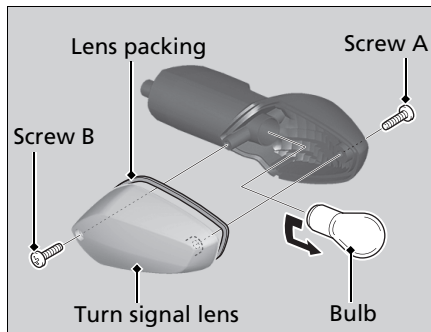


Electrical Trouble ▶ Burned-out Light Bulb

Front/Rear Turn Signal Bulb

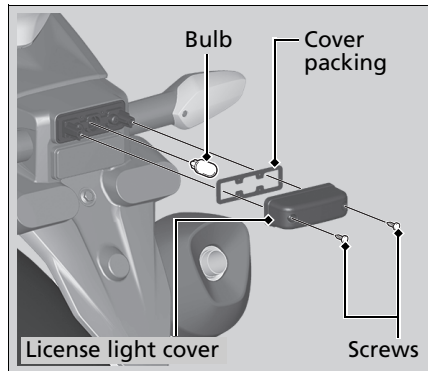
1. Remove the screw A and screw B.
2. Remove the turn signal lens and lens packing.
3. Slightly press the bulb and turn it counterclockwise.



4. Install a new bulb in the reverse order of removal.
 - ▶ Use only the amber bulb.

License Plate Light

1. Remove the screws.
2. Remove the license light cover and license light cover packing.
3. Pull out the bulb without turning.



4. Install a new bulb in the reverse order of removal.

Troubleshooting