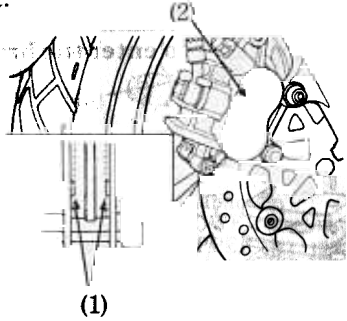


### Brake Pad Wear

Brake pad wear will depend upon the severity of usage, type of riding, and condition of the roads. The pads will wear faster on dirty and wet roads. Inspect the pads visually during all regular service intervals to determine the pad wear. If either pad wears to the bottom of the groove (1), both pads must be replaced as a set.

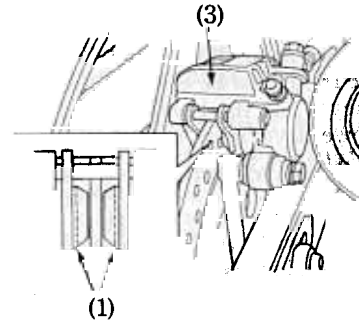


(1) Groove

(2) Front brake caliper

### Other checks:

Make sure there are no fluid leaks. Check for deterioration or cracks in the hoses and fittings.



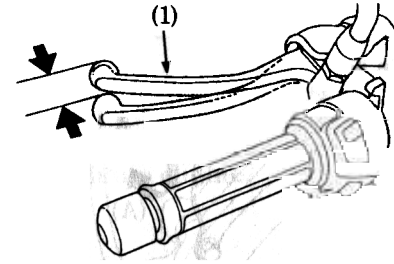
(3) Rear brake caliper

### CLUTCH

Clutch adjustment may be required if the motorcycle stalls when shifting into gear or tends to creep; or if the clutch slips, causing acceleration to lag behind engine speed.

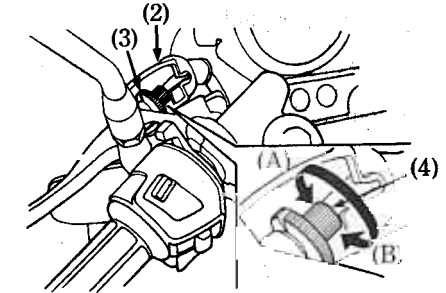
Minor adjustments can be made with the clutch cable adjuster (4) at the lever.

Normal clutch lever free play is:  
10–20mm (3/8–3/4 in)



(1) Clutch lever

1. Pull back the rubber dust cover (2). Loosen the lock nut (3) and turn the adjuster (4). Tighten the lock nut (3) and check the adjustment.
2. If the adjuster is threaded out near its limit or if the correct free play cannot be obtained, loosen the lock nut (3) and turn in the cable adjuster (4) completely. Tighten the lock nut (3) and pull on the dust cover.



(2) Dust cover  
(3) Lock nut  
(4) Clutch cable adjuster

(A) Increase free play  
(B) Decrease free play