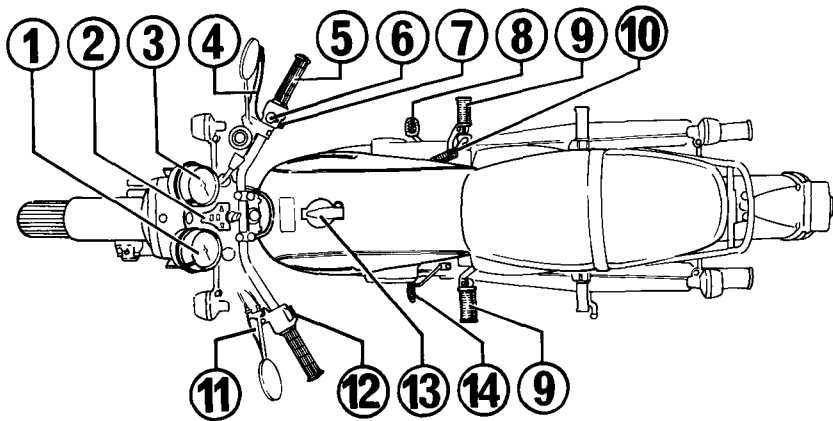


## EQUIPMENT AND CONTROLS



- ① Speedometer
- ② Indicator and warning lamp cluster
- ③ Tachometer
- ④ Front brake lever
- ⑤ Throttle grip
- ⑥ Emergency kill switch

- ⑦ Headlight switch (above)
- ⑧ Rear brake pedal
- ⑨ Foot rests
- ⑩ Kick starter pedal
- ⑪ Clutch lever

- ⑫ Turn signal switch (above)
- ⑬ Fuel tank cap
- ⑭ Gear shift pedal