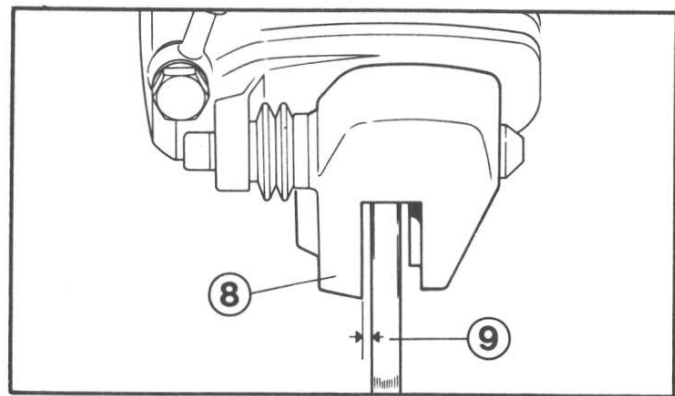


If the feeler gauge cannot be inserted easily, pull the left fork outward until the gauge can be inserted and tighten the holder nuts with gauge inserted. After tightening, remove gauge.

Check that the other three corners of the left caliper holder have a clearance of at least 0.7 mm (0.028 in.) between caliper holder and disc.

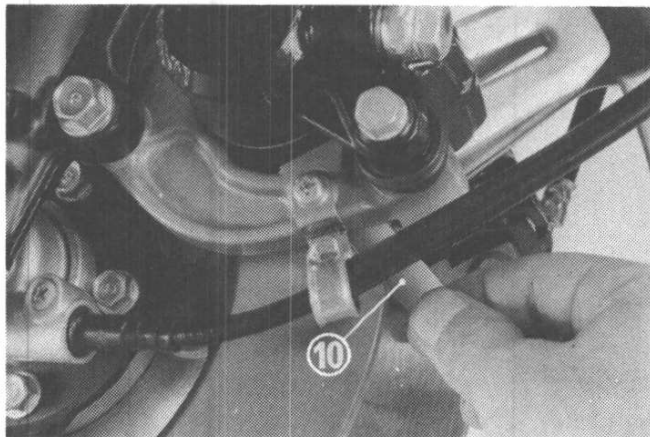


(8) Caliper holder

(9) Disc

WARNING:

- * After installing wheel, apply brakes several times then recheck both discs for caliper holder to disc clearance. Do not operate the motorcycle without adequate clearance.
- * Failure to provide disc to caliper holder clearance will damage the brake discs, which will affect braking efficiency.



(10) Feeler gauge