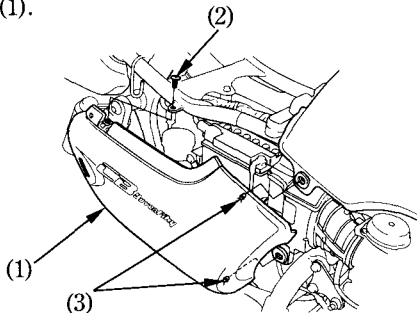


## SIDE COVER

The side cover (1) must be removed for the battery and air cleaner element maintenance. To remove the side cover:

1. Remove the seat.
2. Remove the screw (2).
3. Pull the retaining tabs (3) out from the rubber holes and remove the side cover (1).



(1) Side cover

(3) Retaining tabs

(2) Screw

## NOTE:

- \* Do not pull on the side cover with the screw (2) installed.