

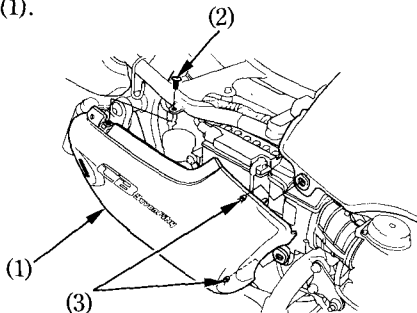
SIDE COVER

The side cover (1) must be removed for the battery and air cleaner element maintenance. To remove the side cover:

1. Remove the seat.
2. Remove the screw (2).
3. Pull the retaining tabs (3) out from the rubber holes and remove the side cover (1).

NOTE:

- * Do not pull on the side cover with the screw (2) installed.



- (1) Side cover
(2) Screw

- (3) Retaining tabs