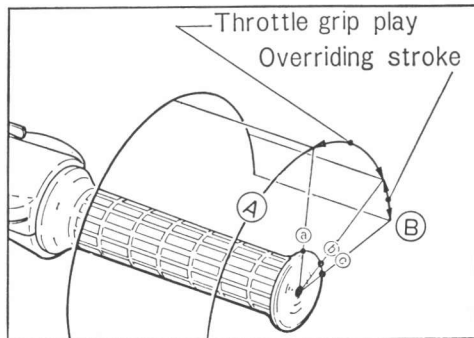


"overriding stroke" and should be 3.2~6.4 mm (1/8~1/4 in.).

If the overriding stroke is less than the standard specified, have the adjustment performed by an authorized HONDA dealer.



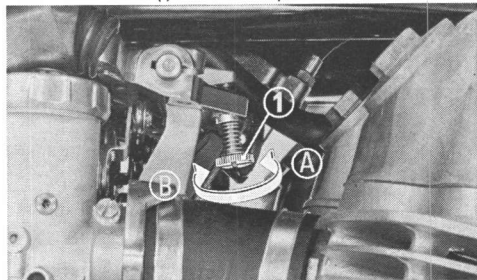
- a Engine rpm starts to increase from idling rpm
- b Point resistance is felt
- c Throttle full closed position

● Carburetor Adjustment

NOTE: Before making adjustments to the carburetor, be sure the ignition system is functioning properly and the engine has good compression. Do not attempt to compensate for other faults by carburetor adjustment.

The motorcycle equipped with the linkage type carburetor is adjusted in the following manner.

1. Start and warm up the engine for several minutes.
2. Set the engine idle speed between **900**



- ① Stop screw