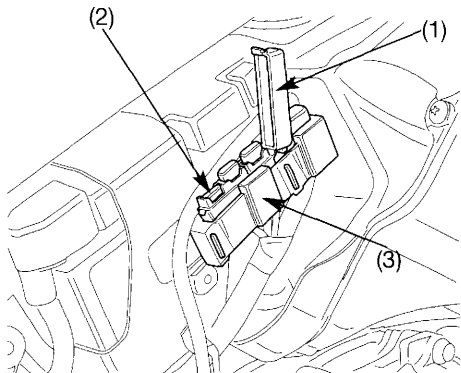


ABS type fuse box (CBF1000A):

The ABS fuse box is located behind the right side cover on the battery housing. The fuses specified are as follows:

30A

1. Remove the right side cover (page 53).
2. Open the fuse box cover (1).
3. Extract the fuse. If the fuse is burnt out, fit a replacement. The spare fuse (2) is located in the fuse box (3).
4. Close the fuse box cover.



- (1) Fuse box cover  
(2) Spare fuse  
(3) ABS Fuse box