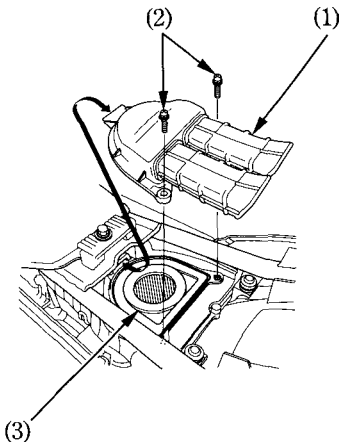


AIR CLEANER

Refer to the Safety Precautions on page 59 .

The air cleaner should be serviced at regular intervals (page 61). Service more frequently when riding in unusually wet or dusty areas.

1. Remove the seat (page 42).
2. Remove the air cleaner housing cover (1) by removing the screws (2).
3. Pull out and clean the air cleaner element (3) using compressed air from the outside, or replace if it necessary.
4. Install the air cleaner element.
5. Install the air cleaner housing cover and screws.
6. Install the seat.



- (1) Air cleaner housing cover
(2) Screws
(3) Air cleaner element