

LEFT HANDLEBAR CONTROLS

Headlight Dimmer Switch (1)

Push the dimmer switch to “HI” to select high beam or to “LO” to select low beam.

< Except AUSTRALIA >

Passing Light Control Switch (2)

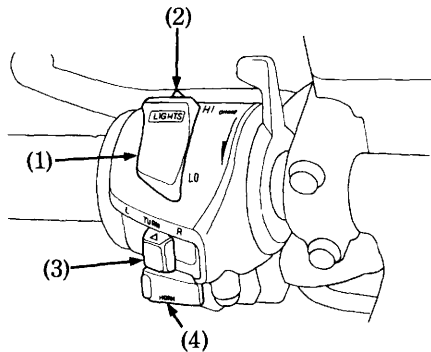
When this switch is pressed, the headlight flashes on to signal approaching cars or when passing.

Turn Signal Switch (3)

Move to L to signal a left turn, R to signal a right turn. Remember to return the switch to the center (off) after completing your turn or lane change.

Horn Button (4)

Press the button to sound the horn.



- (1) Headlight dimmer switch
- (2) Passing light control switch
- (3) Turn signal switch
- (4) Horn button