

FUSE REPLACEMENT

(Refer to the maintenance precautions on page 59).

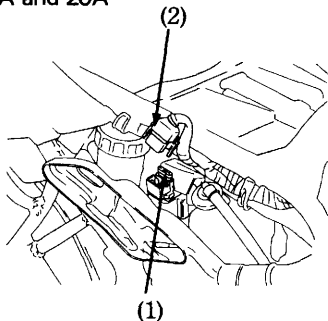
The main fuse (1), located near the rear brake reservoir behind the right side cover is :

30A (Main fuse)

The spare main fuse (3) is located on battery strap.

The fuse box (4) is located under the left inner cover. The specified fuses are :

10A and 20A



(1) Main fuse

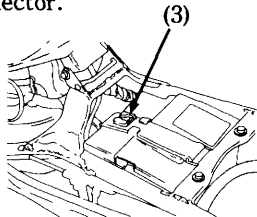
(2) Wire connector

When frequent fuse failure occurs, it usually indicates a short circuit or an overload in the electrical system. See your authorized Honda dealer for repair.

CAUTION:

*** Turn the ignition switch OFF before checking or replacing fuses to prevent accidental short-circuiting.**

To replace the main fuse (1), remove the seat and right side cover (page 40), disconnect the wire connector (2) of the stator magnetic switch and pull out the old fuse. Install a new fuse and reconnect the connector.



(3) Spare main fuse