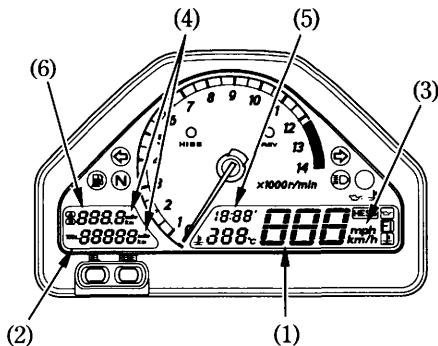


Initial Display

When the ignition switch is turned ON, the multi-function display (1) and odometer/tripmeter display (2) will temporarily show all the modes and digital segments so that you can make sure the liquid crystal display is functioning properly.

The unit "mph" (3) and "mile" (4) will be displayed only for E, III E, VIE type.

Digital clock (5) will reset if the battery is disconnected.



- (1) Multi-function display
- (2) Odometer/Tripmeter display
- (3) "mph"
- (4) "mile"
- (5) Digital clock
- (6) Tripmeter