

### Main fuse, FI fuse:

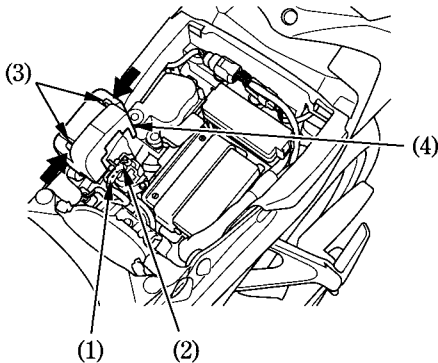
The main fuse (1) and the FI fuse (2) are located under the front seat.

The specified fuses are:

Main fuse 30A

FI fuse 20A

1. Remove the front seat (page 76 ).
2. Release the tabs (3), then remove the starter magnetic switch cover (4).
3. Pull out the old fuse and install a new fuse. The spare fuses are located in the fuse box (page 132 ).
4. Install the starter magnetic switch cover and install the front seat.



(1) Main fuse

(2) FI fuse

(3) Tabs

(4) Starter magnetic  
switch cover