

## INNER PANEL

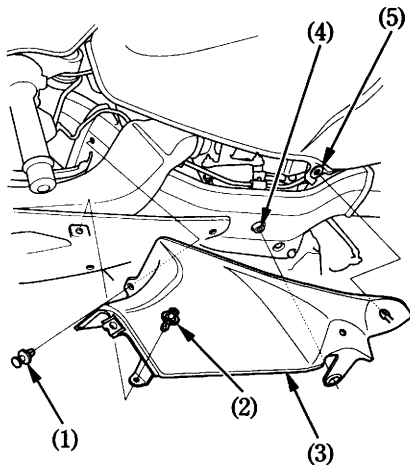
The right and left inner panels can be removed in the same manner.

### Removal:

1. Remove the lower cowl (page 57 ) and upper cowl cover (page 59 ).
2. Remove the clip A (1).
3. Remove the clip B (2).
4. Remove the inner panel (3) by releasing it from the frame boss (4).
5. Remove the inner panel (3) by releasing it from the grommet (5) on the fuel tank.

### Installation:

- Installation can be done in the reverse order of removal.



- |                 |                |
|-----------------|----------------|
| (1) Clip A      | (4) Frame boss |
| (2) Clip B      | (5) Grommet    |
| (3) Inner panel |                |