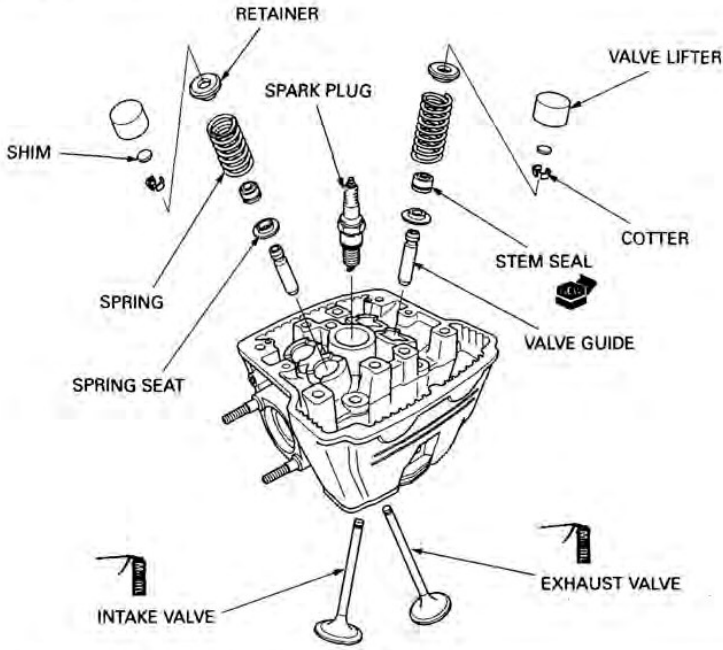
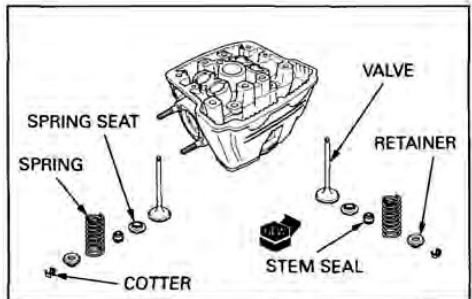


CYLINDER HEAD ASSEMBLY



Clean the cylinder head assembly with solvent and blow through all oil passages with compressed air.
 Install the valve spring seat and new valve stem seal.
 Lubricate each valve stem with molybdenum oil.
 Insert the intake and exhaust valve into the valve guides.

To avoid damage to the seal, turn the valve slowly when inserting.



Install the valve springs with the blue painted side facing up and the springs tightly wound coils should face toward the combustion chamber.
 Install the retainers.

