

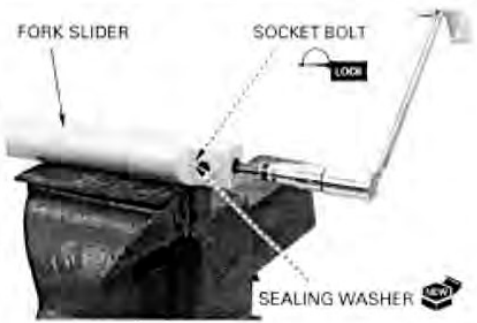
Clean and apply a locking agent to the fork socket bolt threads.  
Install a new sealing washer and socket bolt.

Hold the fork slider in a vise with piece of woods or shop towel.  
Tighten the fork socket bolt to the specified torque.

**TORQUE: 20 N·m (2.0 kgf·m, 14 lbf·ft)**

**NOTE:**

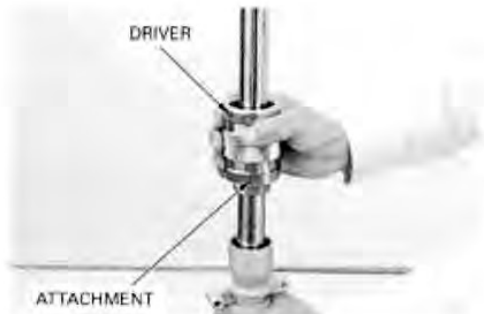
If the socket bolt turn together with the fork piston, temporarily install the fork spring and fork bolt.



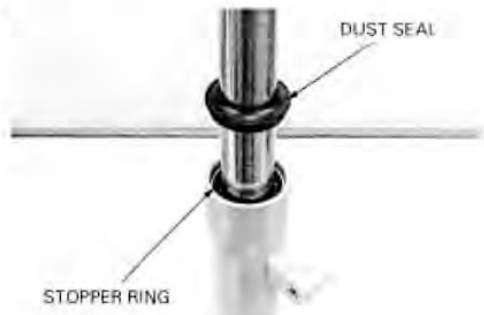
Apply fork fluid to the lip of the oil seal.  
Drive the oil seal using the oil seal driver.

**TOOLS:**

**Fork seal driver**                    **07747 - 0010100**  
**Fork seal driver attachment**    **07747 - 0010300**



Install the oil seal stopper ring into the groove of the fork slider.  
Install the dust seal.



Compress the fork pipe all the way and pour in the specified amount of fork fluid.

**OIL CAPACITY:**

**206 ± 2.5 cm<sup>3</sup> (7.0 ± 0.08 US oz, 7.3 ± 0.09 Imp oz)**

Pump the fork pipe slowly several times to stabilize the fork oil level.  
Compress the fork all the way and measure the oil level from the top of the pipe.

**OIL LEVEL: 131 mm (5.2 in)**

