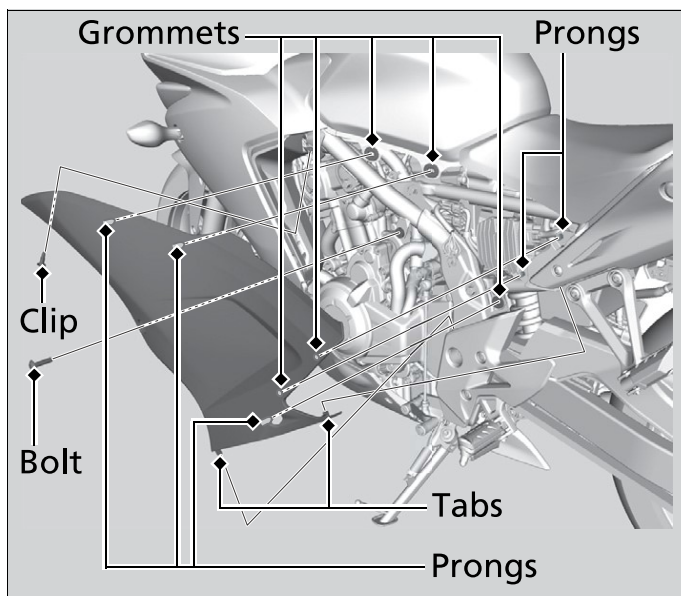


Removing & Installing Body Components ► Side Cover

Side Cover



Maintenance

The right side cover must be removed to access the main fuse.

The left side cover must be removed to access the coolant reserve tank cap.

The right and left side covers can be removed in the same manner.

Removal

1. Remove the bolt and clip. P. 59
2. Remove the prongs from the grommets.
3. Remove the side cover by releasing the tabs.

Installation

Install the parts in the reverse order of removal.