

Other Adjustments

Adjusting the Rear Suspension

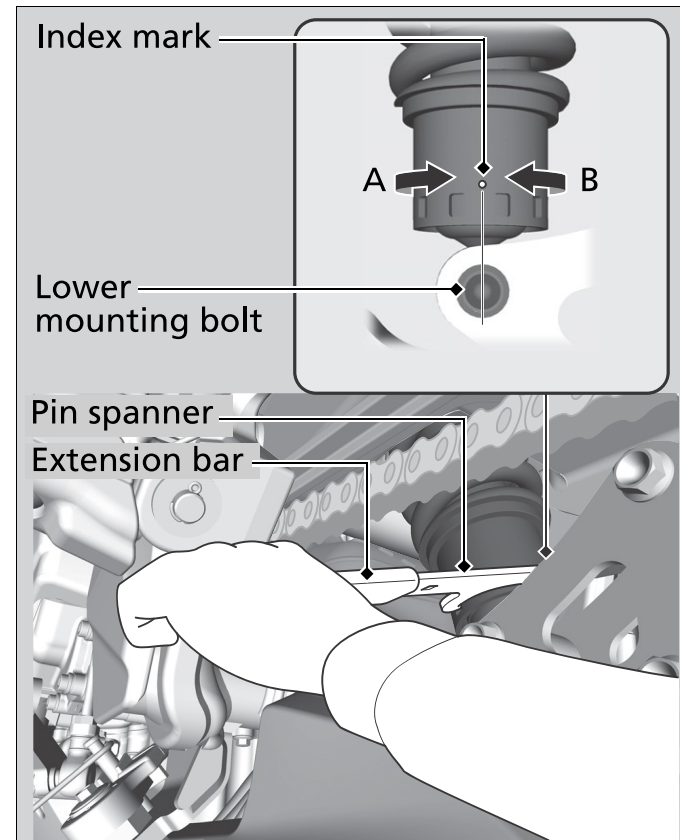
Spring Preload

You can adjust the spring preload by the adjuster to suit the load or the road surface. Turn the adjuster using the pin spanner and extension bar provided in the tool kit.

(▶ P. 55)

The preload adjuster has 9 positions. The standard position is 3 when the index mark on the adjuster is aligned with the left end of the rear shock absorber lower mounting bolt.

Turn the adjuster in the direction A to decrease spring preload (soft) (position 1 to 2), or turn the adjuster in the direction B to increase spring preload (hard) (position 4 to 9).



Attempting to adjust directly from 1 to 9 or 9 to 1 may damage the shock absorber.