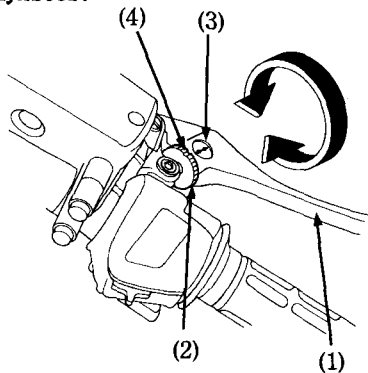


### Front Brake Lever:

The distance between the tip of the brake lever (1) and the grip can be adjusted by turning the adjuster (2).

#### **CAUTION:**

- \* **Align the arrow (3) on the brake lever with index mark (4) on the adjuster.**



(1) Front brake lever  
(2) Adjuster

(3) Arrow  
(4) Index mark

### **Rear Brake**

#### Rear Brake Fluid Level:

#### **▲ WARNING**

- \* **Brake fluid may cause irritation. Avoid contact with skin or eyes. In case of contact, flush thoroughly with water and call a doctor if your eyes were exposed.**
- \* **KEEP OUT OF REACH OF CHILDREN.**

#### **CAUTION:**

- \* **Handle brake fluid with care because it can damage plastic and painted surfaces.**
- \* **When adding brake fluid, be sure the reservoir is horizontal before the cap is removed or brake fluid may spill out.**
- \* **Use only DOT 4 brake fluid from a sealed container.**
- \* **Never allow contaminants such as dirt or water to enter the brake fluid reservoir.**