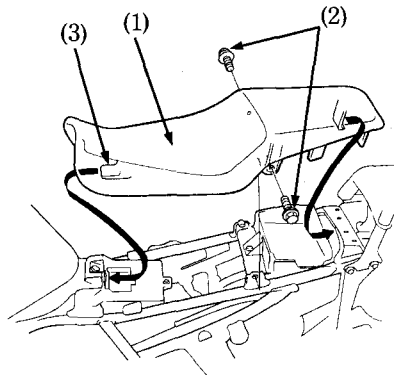


## SEAT

To remove the seat (1), remove both side covers, remove the seat mounting bolts (2), and then pull the seat back and up.

To install the seat, insert the tab (3) into the recess under the frame and tighten the mount bolts securely.



(1) Seat

(2) Mounting bolts

(3) Tab