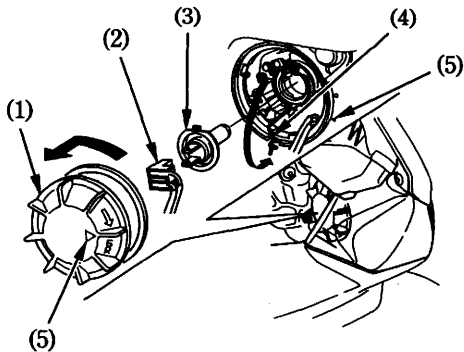


Headlight Bulb

1. Remove the socket cover (1) by turning it counterclockwise.
2. Pull off the socket (2) without turning.
3. Remove the bulb (3) while pressing down on the pin (4).
4. Pull out the bulb without turning.
5. Install a new bulb in the reverse order of removal.
 - Install the socket cover by turning it clockwise.Make sure that the arrow marks (5) on the socket cover and headlight housing is aligned.



- (1) Socket cover
(2) Socket
(3) Bulb

- (4) Pin
(5) Arrow marks