

Rear Suspension

Compression damping:

To adjust the adjuster to the standard position, proceed as follows :

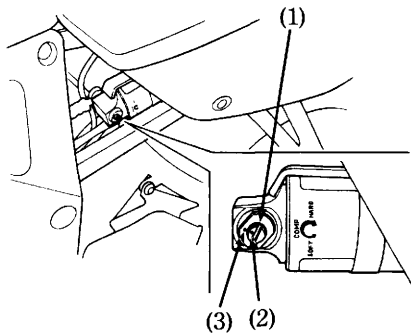
1. Turn the damping adjuster (1) clockwise until it will no longer turn. This is the full hard setting.
2. The adjuster is set in the standard position when the adjuster is turned counterclockwise approximately 1.5 turn so it aligns with the punch marks (2) on the adjuster and the reference mark (3).

To reduce (SOFT) :

Turn the adjuster counterclockwise toward SOFT for a light load and smooth road condition.

To increase (HARD) :

Turn the adjuster clockwise toward HARD for a firmer ride and rough road condition.



- (1) Damping adjuster
(2) Punch mark

- (3) Reference mark