

For AUSTRALIA only
LEFT HANDLEBAR CONTROLS

Headlight Dimmer Switch (1)

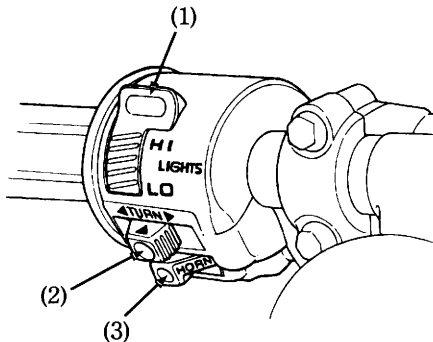
Push the dimmer switch to “HI” to select high beam or to “LO” to select low beam.

Turn Signal Switch (2)

Move to L to signal a left turn, R to signal a right turn. Press to turn signal off.

Horn Button (3)

Press the button to sound the horn.



- (1) Headlight dimmer switch
- (2) Turn signal switch
- (3) Horn button