

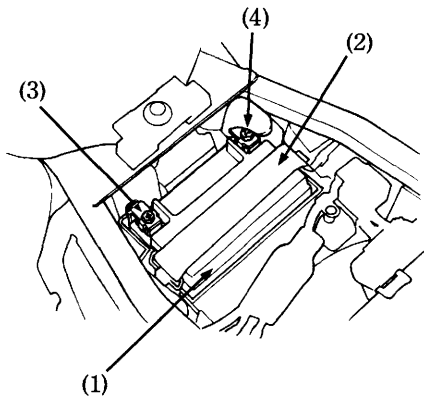
## **▲ WARNING**

- \* **KEEP OUT OF REACH OF CHILDREN.**
- \* **Even though the battery is sealed, it still vents explosive gases. Do not allow open flames or sparks near the battery.**

### **Battery Removal**

The battery (1) is in the battery box below the front seat.

1. Remove the front seat (page 40).
2. Unhook the strap (2).
3. Disconnect the negative (–) terminal lead (3) from the battery first, then disconnect the positive (+) terminal lead (4).
4. Pull out the battery from the battery box.



- (1) Battery
- (2) Strap
- (3) Negative (–) terminal lead
- (4) Positive (+) terminal lead