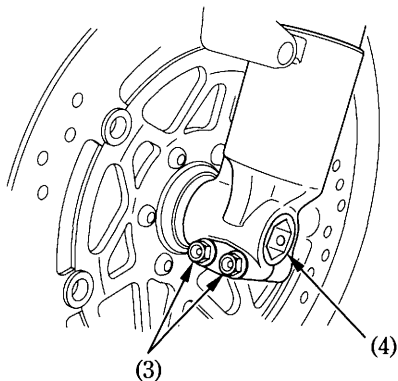
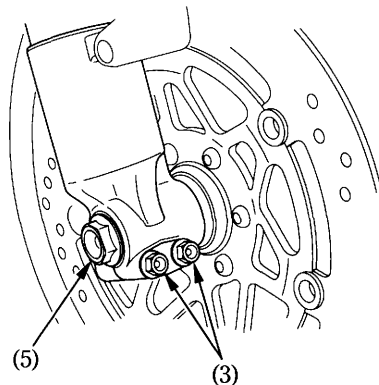


- Loosen the right and left axle pinch bolts (3), and remove the axle bolt (5).
- Withdraw the front axle (4) and remove the front wheel.



- (3) Axle pinch bolts
(4) Front axle



- (5) Axle bolt