

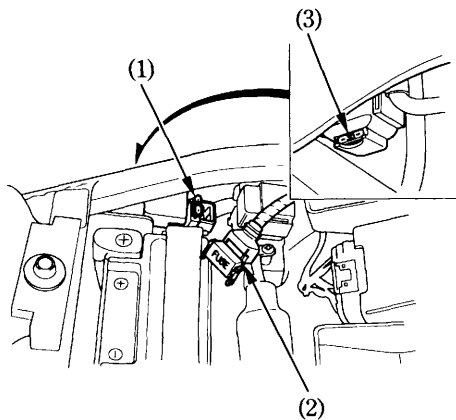
Main fuse:

The main fuse (1) is located behind the right side cover.

The specified fuse is:

**30A**

1. Remove the front seat (page 40).
2. Disconnect the wire connector (2) of the stator magnetic switch.
3. Pull out the old fuse and install a new fuse. The spare fuse (3) is located under the starter magnetic switch.
4. Reconnect the connector and install the front seat.



(1) Main fuse

(2) Wire connector

(3) Spare fuse