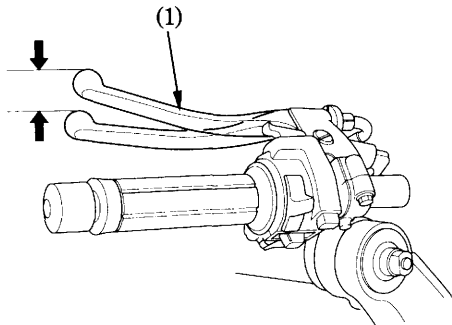


CLUTCH

Clutch adjustment may be required if the motorcycle stalls when shifting into gear or tends to creep; or if the clutch slips, causing acceleration to lag behind engine speed. Minor adjustments can be made with the clutch cable adjuster (3) at the lever (1).

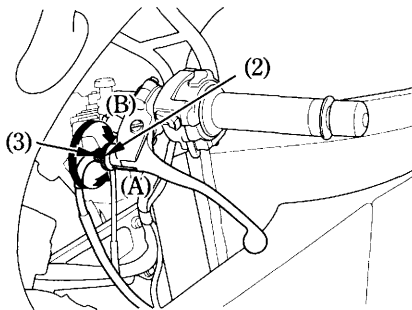
Normal clutch lever free play is:

10 – 20 mm (0.4 – 0.8 in)



(1) Clutch lever

1. Loosen the lock nut (2) and turn the adjuster (3). Tighten the lock nut (2) and check the adjustment.
2. If the adjuster is threaded out near its limit or if the correct free play cannot be obtained, loosen the lock nut (2) and turn in the cable adjuster (3) completely. Tighten the lock nut (2).



- (2) Lock nut (A) Increase free play
(3) Clutch cable adjuster (B) Decrease free play