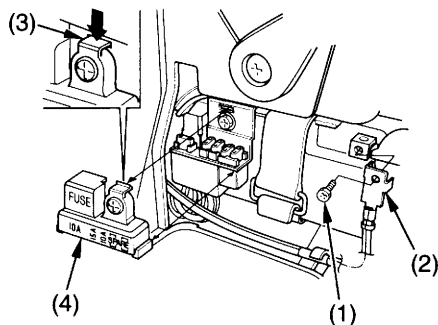


Battery

The battery is located in the battery box behind the maintenance lid.

UNDER SEAT



- (1) bolt
- (2) negative (-) terminal lead
- (3) tab
- (4) fuse box cover

Removal

1. Make sure the ignition switch is OFF.
2. Open the seat (page 26).
3. Remove the maintenance lid (page 85).
4. Remove the bolt (1) that secures the negative (-) terminal lead (2).
5. Release the tab (3), then remove the fuse box cover (4).
6. Remove the bolt (5) that secures the positive (+) terminal lead (6).
7. Release the rubber band (7) securing the battery (8).
8. Pull the battery out of the battery box.

(cont'd)