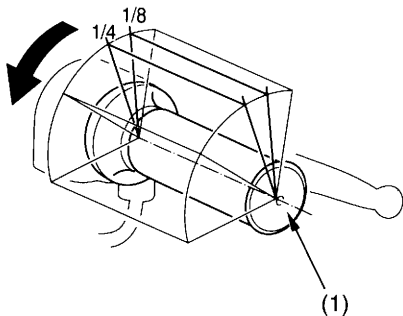


Starting & Stopping the Engine

If You Cannot Restart a Warm Engine

1. Place the scooter on its center stand, squeeze the rear brake lever, and set the rear brake lock (page 24).
2. Open the throttle (1) $1/8 - 1/4$ turn while starting the engine.



(1) throttle