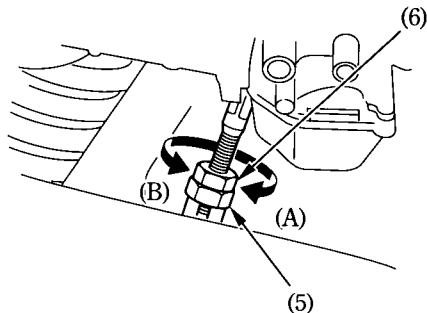
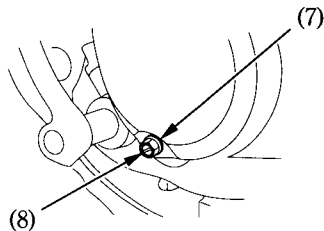


4. Loosen the lock nut (6) at the lower end of the cable. Turn the adjusting nut (5) to obtain the specified freeplay. Tighten the lock nut and check the adjustment.



- (5) Adjusting nut      (A) Decrease freeplay  
(6) Lock nut          (B) Increase freeplay

5. Clutch adjustment is made at the clutch housing according to the maintenance schedule (page 48) or when normal cable adjustment cannot obtain specified freeplay. Before adjusting the clutch, turn the cable adjuster all the way in to provide maximum freeplay. Then loosen the lock nut (7) and turn the clutch adjuster (8) counterclockwise until a slight resistance is felt. Turn the adjuster back clockwise 1/8 to 1/4 turn and tighten the lock nut, then readjust the lower cable adjuster for proper freeplay.



- (7) Lock nut                      (8) Clutch adjuster