



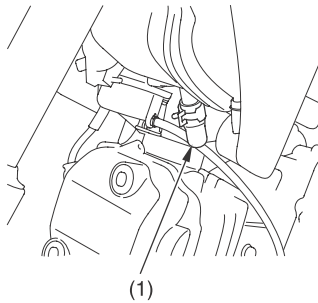
## Crankcase Breather

---

Refer to *Safety Precautions* on page 45.

Service more frequently if your motorcycle is ridden in the rain or often at full throttle.

LEFT SIDE



(1) crankcase breather tube

- Drain the deposits into a suitable container by pinching the crankcase breather tube (1).

