
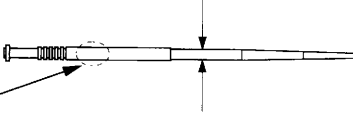


Optional Parts List (ED, U Type)




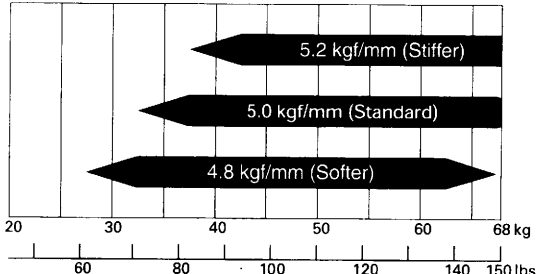
These parts and tools may be ordered from your authorized Honda dealer.

CARBURETOR	Remarks	
Main jet (Standard: #130)	#120 – #140 (in increments of 2 or 3) (9 sizes)	
Slow jet (Standard: #40)	#35 – 45 (in increments of 2 or 3)	
Jet Needle Standard needle: NMQT Straight diameter: ø2.775 mm		
		
Specific flow characteristics at 1/16 to 1/4 throttle	Jet needle number (standard series)	Jet needle number (1/2 clip position leaner than standard at 1/8 to 3/4 throttle)
Rich ↑ ↓ Lean	NMQR ø2.755 mm	NMRR ø2.755 mm
	NMQS ø2.765 mm	NMRS ø2.765 mm
	(standard needle) NMQT ø2.775 mm	NMRT ø2.775 mm
	NMQU ø2.785 mm	NMRU ø2.785 mm
	NMQV ø2.795 mm	NMRV ø2.795 mm

CARBURETOR	Remarks
Accelerator pump diaphragm	#30 (standard) #25
Fuel flow amount	Leak jet number
↓ increase	#60 (standard)
	#55
	#50

FRAME	Remarks
Driven sprocket	CRF150R < >: Drive chain links 49T, Aluminum <120> 50T, steel <120> (standard) 50T, Aluminum <120> 51T, Aluminum <120>
	CRF150RB < >: Drive chain links 55T, Aluminum <126> 56T, steel <126> (standard) 56T, Aluminum <126> 57T, Aluminum <126>
Drive chain	Standard DID420DS3: 120 Links (CRF150R) 126 Links (CRF150RB)
	Optional DID420DS3: 130 Links

TOOLS	Remarks
Workstand	For maintenance
Pin spanner A	To adjust spring pre-load
Pin spanner B	To torque the shock spring lock nut

FRAME	Remarks
Shock springs	CRF150R
Softer ↑	4.8 kgf/mm (268.8 lbf/in)  ← Red mark
Standard ↓	5.0 kgf/mm (280.0 lbf/in)  ← White mark
Stiffer	5.2 kgf/mm (291.2 lbf/in)  ← No mark
Rider Weight	
	
The maximum load capacity is 68 kg (150 lbs). Rider weight must not exceed this limit.	