

### Front Brake Lever:

Never use adjusters other than those designed for this motorcycle. Install a new adjuster from the lever side with the lock nut under the head of the adjuster.

1. Pull back the rubber dust cover (2).
2. Loosen the lock nut (3).
3. To position the brake lever farther away from the handgrip, turn the adjuster (4) clockwise.

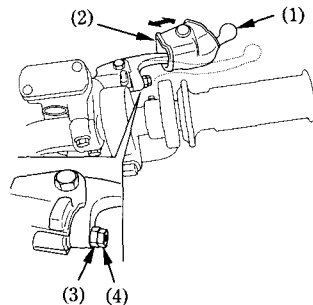
To position the brake lever closer to the handgrip, turn the adjuster counterclockwise.

4. Tighten the lock nut. Return the dust cover to its normal position.
5. Apply the brake, release it, then spin the wheel and check that it rotates freely.
6. Check freeplay by pulling in slowly on the front brake lever until the brake starts to engage.

Freeplay:

10 - 20 mm (0.4 - 0.8 in)

If brake lever freeplay is not within this range, see your Honda dealer.



- |                       |              |
|-----------------------|--------------|
| (1) Front brake lever | (3) Lock nut |
| (2) Dust cover        | (4) Adjuster |

### Other Checks:

Make sure there are no fluid leaks. Check for deterioration or cracks in the hoses and fittings.