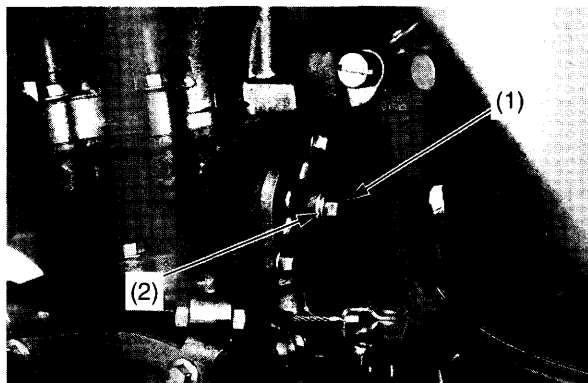


Valve Clearance

Camshaft Removal

1. Record the intake valve clearance and exhaust valve clearance.

2. Remove the cam chain tensioner lifter cover bolt (1) and sealing washer (2).

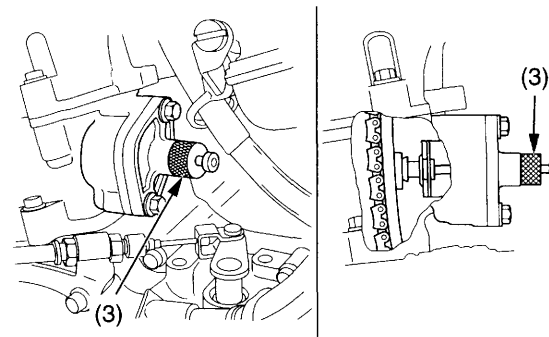


- (1) cam chain tensioner lifter cover bolt
(2) sealing washer

Use the tensioner stopper tool.

- Tensioner stopper 070MG-0010100

3. Turn the tensioner shaft clockwise with the tensioner stopper (3) until it stops, in order to retract the tensioner fully.
Then insert the tensioner stopper fully to hold the stopper in the fully retracted position.



- (3) tensioner stopper