

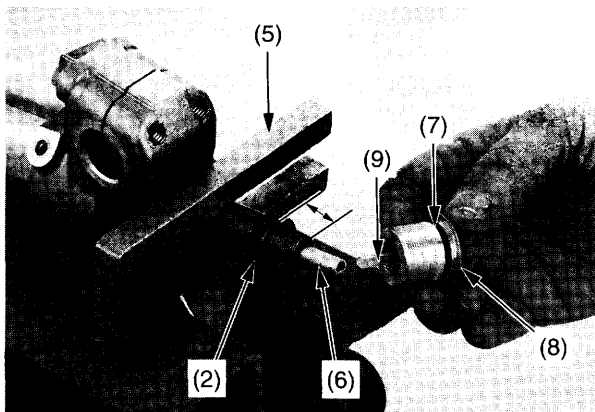
Front Suspension Adjustments

- Set the axle holder in a vise with a piece of wood or soft jaws to avoid damage.

NOTICE

Overtightening the vise can damage the axle holder.

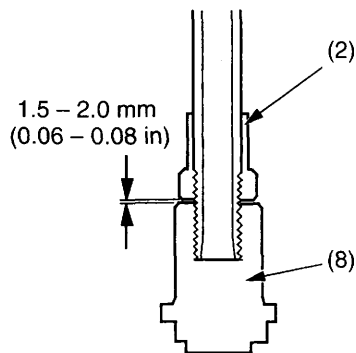
- Temporarily install the fork damper to the fork.
Push out the fork damper piston rod from the axle holder of the slider by pushing the fork damper.
Apply pressure to the fork damper and insert the piston base (5) or mechanic's stopper tool between the axle holder and lock nut (2). Measure the thread length again.
Standard: 11 – 13 mm (0.43 – 0.51 in)
- Install the push rod (6) into the piston rod until it stops.
Check the push rod installation by turning the push rod right and left.
- Install a new O-ring (7) to the centre bolt (8).
Install the centre bolt to the fork damper piston rod aligning the centre bolt adjusting rod (9) with the push rod. Tighten the centre bolt fully by hand.



- (2) lock nut
- (5) piston base
- (6) push rod
- (7) O-ring
- (8) centre bolt
- (9) adjusting rod

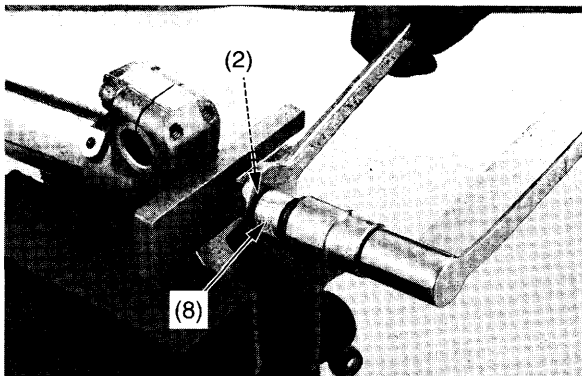
- Measure the length of the lock nut (2) and centre bolt (8) clearance.
Standard: 1.5 – 2.0 mm (0.06 – 0.08 in)

If the clearance is out of specification, check the lock nut and centre bolt installation.



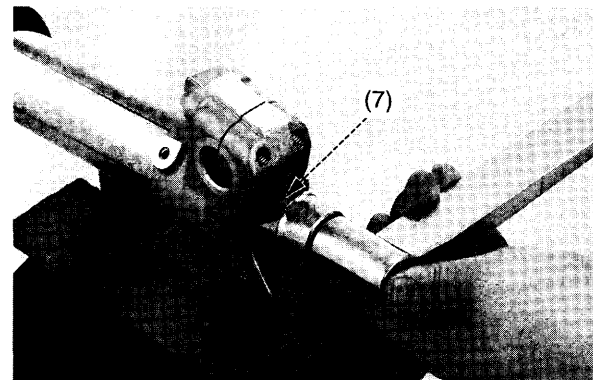
- (2) lock nut
- (8) centre bolt

- Tighten the lock nut (2) to the centre bolt (8) closely by hand. Tighten the lock nut to the specified torque:
22 N·m (2.2 kgf·m, 16 lbf·ft)



- (2) lock nut
- (8) centre bolt

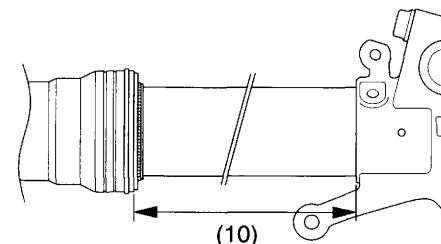
- Apply fork oil to the centre bolt O-ring (7).
Remove the piston base or mechanic's stopper tool while applying pressure to the fork damper.
Install the centre bolt to the axle holder and tighten it to the specified torque:
69 N·m (7.0 kgf·m, 51 lbf·ft)



- (7) centre bolt O-ring

- Measure the length between the axle holder and outer tube, and record it.
Standard: 317 ± 2 mm (12.5 ± 0.1 in)
- Compare the length (10) at assembly and at disassembly. They should be the same length.

If the length at assembly is longer than at disassembly, check the centre bolt and lock nut installation.



- (10) length