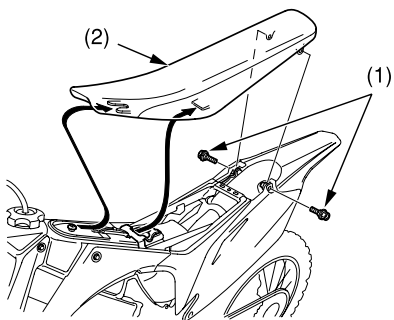


## Seat

Refer to *Safety Precautions* on page 23.

### Removal

1. Remove the seat mounting bolts (1).
2. Remove the seat (2) by sliding it backward.

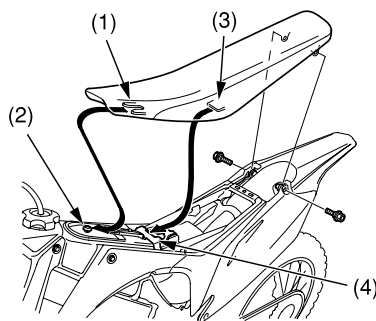


(1) seat mounting bolts

(2) seat

### Installation

1. Install the seat while aligning the seat front prong (1) with the seat bracket (2) and seat rear prong (3) with the ECM bracket (4).
2. Install and tighten the seat mounting bolts to the specified torque:  
19 lbf-ft (26 N·m, 2.7 kgf·m)



- (1) seat front prong
- (2) seat bracket
- (3) seat rear prong
- (4) ECM bracket